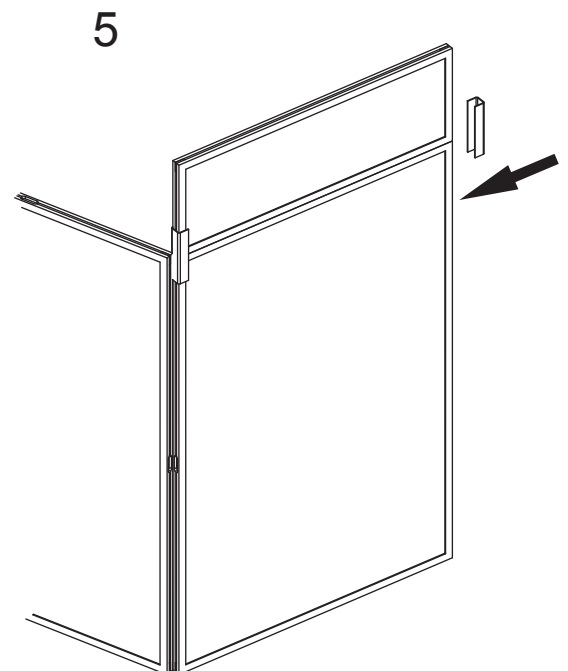
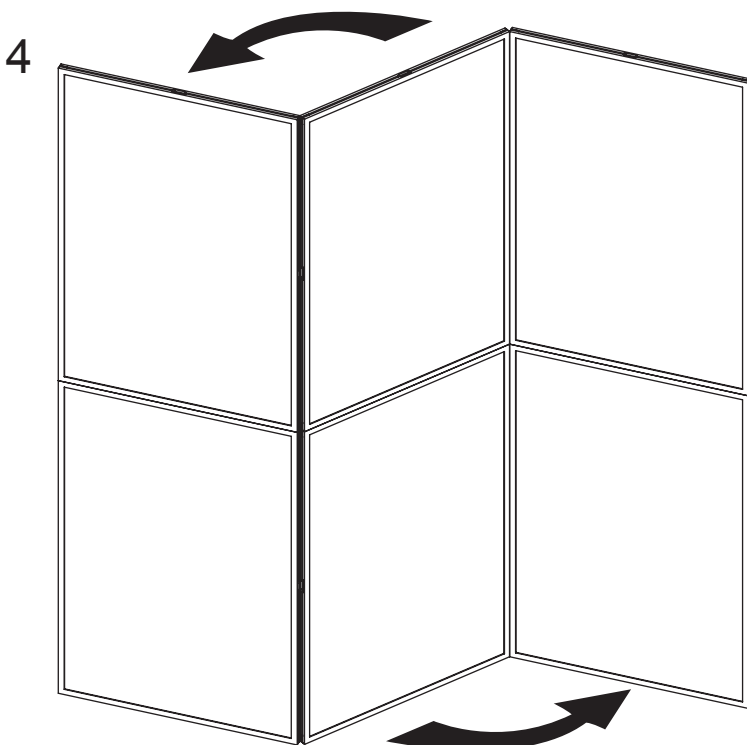
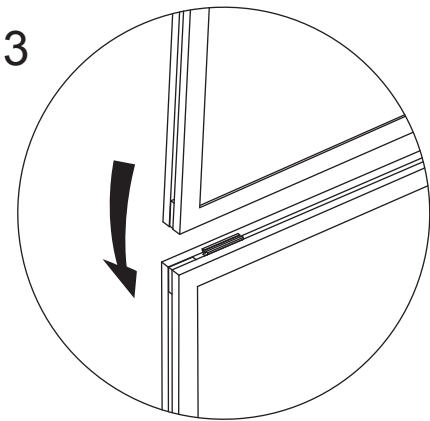
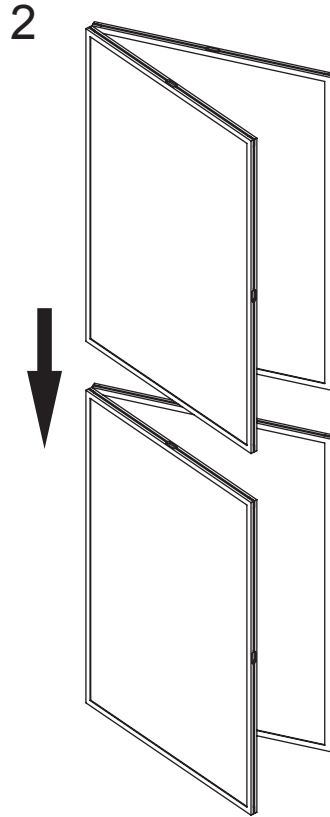
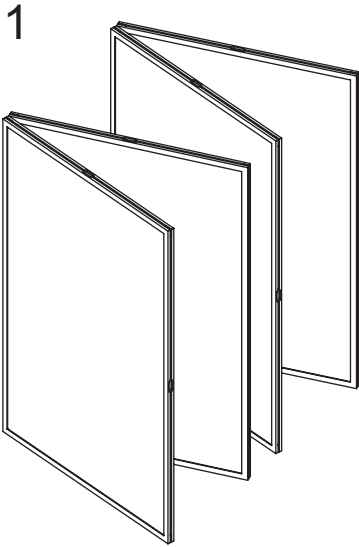


Folding Display Boards

Assembly Instructions



1. Establish which is the top and which is the bottom half of your system. The bottom half has the joining clips on the top edge.

2. Lift the top half onto the bottom half.

3. Locate the joining clips into the centre grooves of the bottom panel, then snap the top panel downwards onto the bottom panel.

4. Fold out the system to your desired shape. Maintain a slight angle between each pane; for stability.

5. Add the snap on side clamps to the outside joint of the header panel for additional support.

6. Only use velcro supplied to attach items to panels. *Do not* use pins

Continued overleaf

Thank you for hiring this panel from Displays UK. We also do a wide range of other exhibition products which could help you promote your business. Please contact us to discuss how we could help.



enquiries@displaysuk.co.uk Tel: 01202 480104